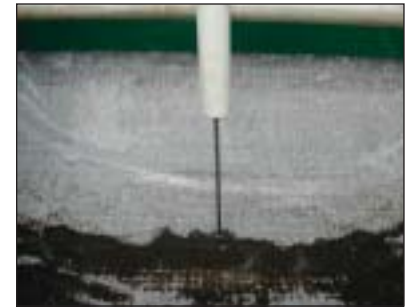


Clearstream Filter

Greenhouse Filtration System



*TrueLeaf is the
Exclusive Distributor for
the USA.*

- Recycle
- Reuse
- Reduce BOD (Biological Oxygen Demand)
- Reduce diseases
- Reduce tank cleaning

The Clearstream Media Filter provides a highly efficient and reliable means of removing solids from irrigation water. Clearstream filters work by the process of “moving media”— a filter cloth is moved incrementally as it is used, providing excellent fine filtration of your returning irrigation water. It is a non-pressurized system, which is economical and easy to operate. The system handles occasional system upsets or overloads without blinding the filter media.

The Clearstream Media Filter is a fully automatic system that ensures efficient cleaning of any process fluid. At the same time it optimizes the amount of filter media used. The solids are discharged as a cake for easy handling and disposal.

The innovative compact design of the Clearstream Media Filter allows for easy integration into the following:

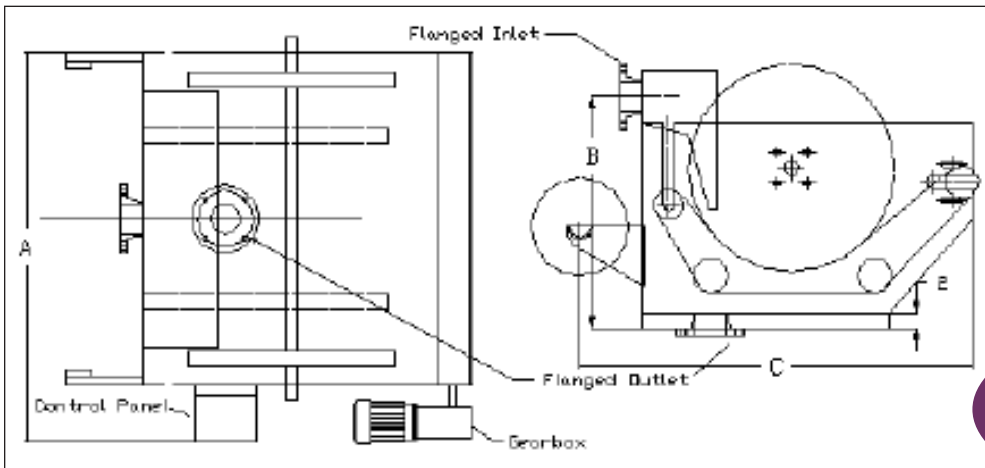
- Newly designed systems
- Existing equipment
- OEM systems
- Flood Floors and Benches



This sensor tells the cloth when to move.

Clearstream Filter

Specifications



**Call TrueLeaf
NOW for pricing and
availability!**

Model	A	B	C	Flow/US GPM
MMF 18-27	30	37	43.25	100
MMF 27-27	40	34.25	52.75	200
MMF 27-39	52	34.25	52.75	300
MMF 27-51	64	34.25	52.75	400
MMF 27-60	73	34.25	52.75	500
MMF 39-39	52	41.75	65.75	450
MMF 39-51	64	41.75	65.75	600
MMF 39-60	73	41.75	65.75	750
MMF 39-70	83	41.75	65.75	900

Dimensions are in inches.

Flow rate is based on water using 1.0 ounces of media.

Specifications:

Carbon Steel Construction, Polyester Powder Coated
Conveyor Belt— 304 Stainless Steel
Steel Rings— Neoprene
Seal wheels— Aluminum

Options:

Cover
Spent Media Windup
All Stainless Steel Construction or Supplied Specifications
Custom designed to suit application

